

wall mounted pump



MODULAR OIL DISPENSING KIT WITH HOSE REEL

P/N OE35280-S

Wall-mounted oil dispenser kit with pump on wall, for drums 180 - 220 kg or tank, equipped with: ▶ P/N OE35160 pump R 3:1 - 14 l/min ▶ P/N 430/41 hose reel 1/2" with 10 m hose ▶ P/N OE38042 bung adaptor ▶ P/N OE38043 wall bracket ▶ P/N OE38071 nipple 1/2" x 1/2" G ▶ P/N OE38026 flexible suction hose 1" ▶ P/N OE38027 rigid suction tube ▶ P/N OE37758 digital metering gun ▶ P/N 963/2 hose 1/2" - 2 m ▶ P/N 900 drip-tray

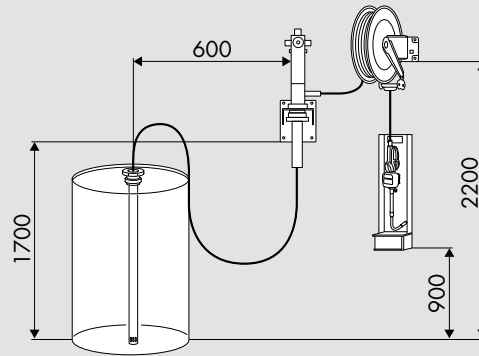
No.4 packing m³ 0,130 kg 38,5

P/N OE37680-S

Wall-mounted oil dispenser kit with pump on wall, for drums 180 - 220 kg or tank, equipped with: ▶ P/N OE36060 pump R 5:1 - 18 l/min ▶ P/N 430/41 hose reel 1/2" with 10 m hose ▶ P/N OE38042 bung adaptor ▶ P/N OE38043 wall bracket ▶ P/N OE38071 nipple 1/2" x 1/2" G ▶ P/N OE38026 flexible suction hose 1" ▶ P/N OE38027 rigid suction tube ▶ P/N OE37758 digital metering gun ▶ P/N 963/2 hose 1/2" - 2 m ▶ P/N 900 drip-tray

No.4 packing m³ 0,130 kg 39,5

APPROXIMATED MEASUREMENTS



wall mounted pump



MODULAR OIL DISPENSING KIT WITH HOSE REEL

P/N OE35281-S

Wall-mounted oil dispenser kit with pump on wall, for drums 180 - 220 kg or tank, equipped with: ▶ P/N OE35160 pump R 3:1 - 14 l/min ▶ P/N 440/41 hose reel 1/2" with 10 m hose ▶ P/N OE38042 bung adaptor ▶ P/N OE38043 wall bracket ▶ P/N OE38071 nipple 1/2" x 1/2" G ▶ P/N OE38026 flexible suction hose 1" ▶ P/N OE38027 rigid suction tube ▶ P/N OE37758 digital metering gun ▶ P/N 963/2 hose 1/2" - 2 m ▶ P/N 900 drip-tray

No.4 packing m³ 0,135 kg 45

P/N OE37679-S

Wall-mounted oil dispenser kit with pump on wall, for drums 180 - 220 kg or tank, equipped with: ▶ P/N OE36060 pump R 5:1 - 18 l/min ▶ P/N 440/41 hose reel 1/2" with 10 m hose ▶ P/N OE38042 bung adaptor ▶ P/N OE38043 wall bracket ▶ P/N OE38071 nipple 1/2" x 1/2" G ▶ P/N OE38026 flexible suction hose 1" ▶ P/N OE38027 rigid suction tube ▶ P/N OE37758 digital metering gun ▶ P/N 963/2 hose 1/2" - 2 m ▶ P/N 900 drip-tray

No.4 packing m³ 0,135 kg 45

APPROXIMATED MEASUREMENTS

